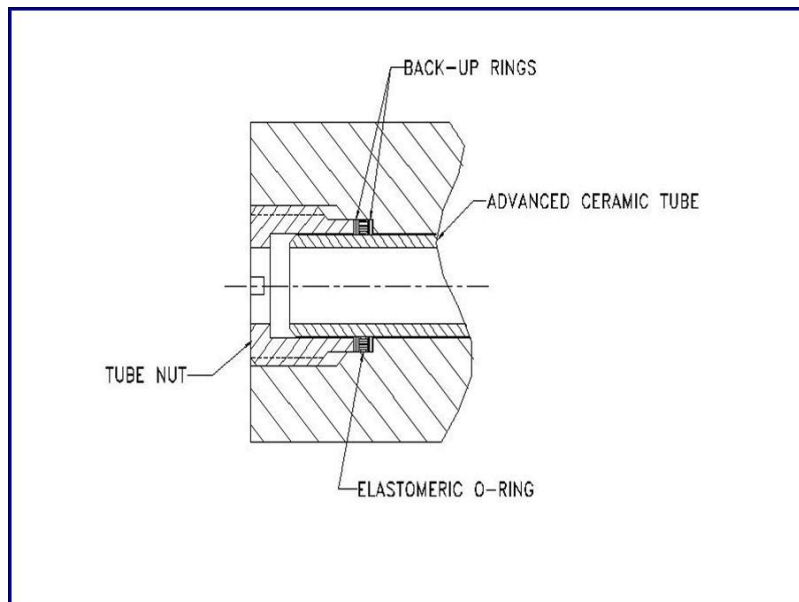


Umax Tube Sealing System



Each tube is sealed individually with a tube nut allowing independent tube to tubesheet seal and simple field repair.



Tube Nut Insertion Tool



Teflon tubesheet with tube nut on tube